

Torque Reaction Arm

Easier to operate and more convenient to use

Suitable for small-scale fixed-point operations



PRODUCT ADVANTAGES

- ✓ Can rotate 360 degrees
- ✓ Can move up and down
- ✓ Can always stay vertical
- ✓ Can work at a fixed height



PRODUCT PARAMETERS

Name	Torque Reaction Arm
Brand	RotoGen
Model	RG-ZJ12B
Material	Aluminum Alloy & Steel
Working radius	100-900mm



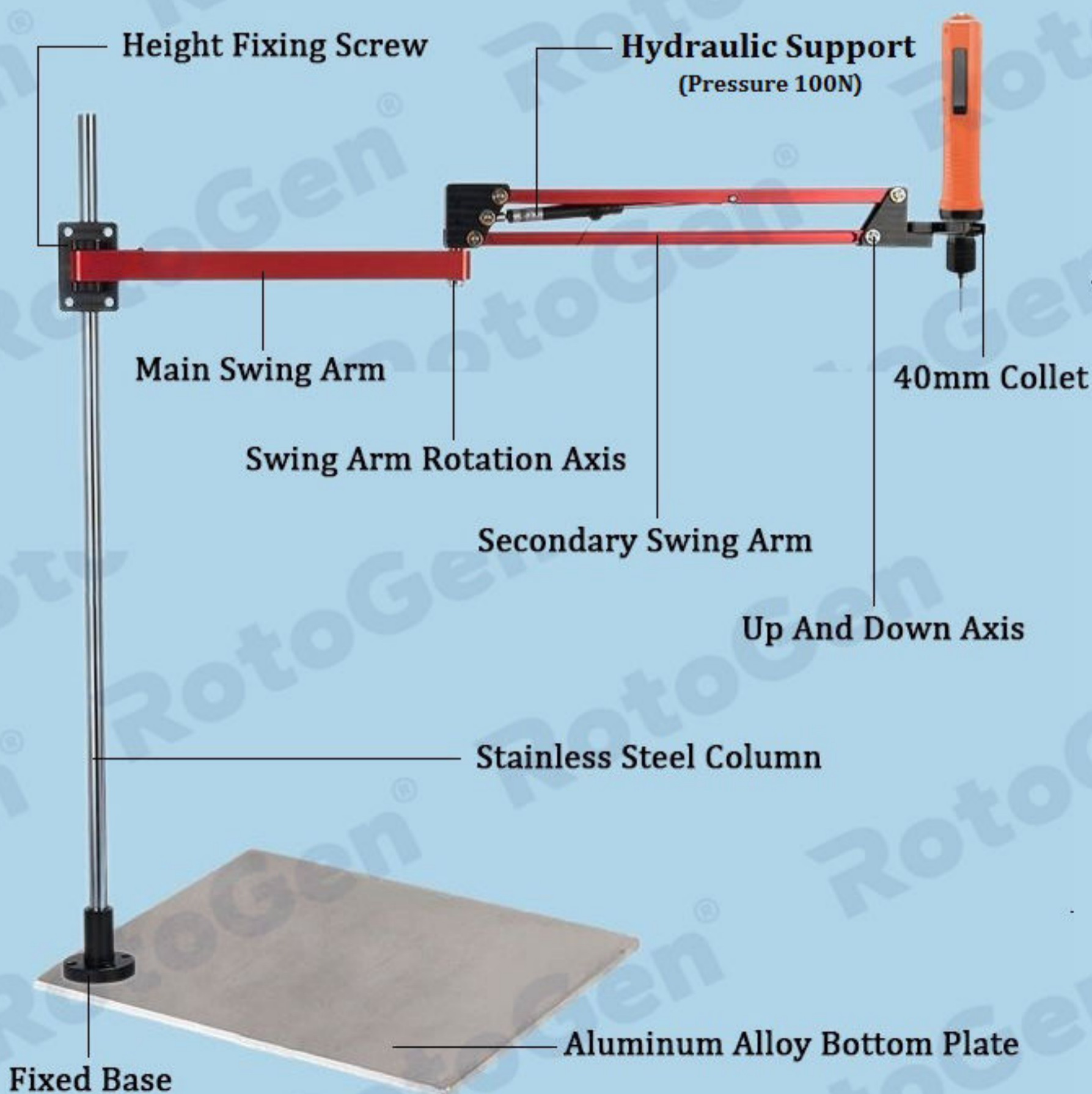
Closed overall drawing of the arm



(For customization please contact us)

PRODUCT STRUCTURE

PRODUCT STRUCTURE



OPTIONAL ACCESSORIES



30mm



40mm



45mm



50mm

U-clip



75mm



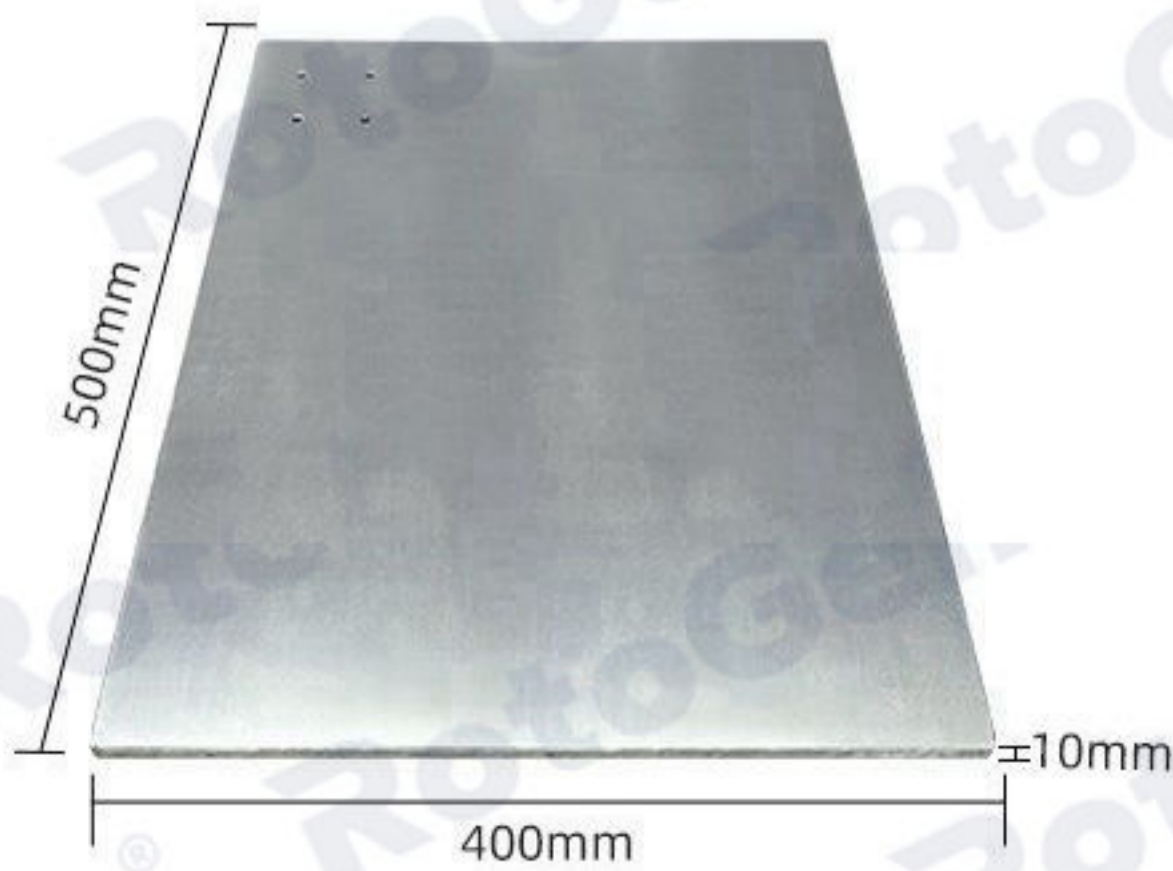
Use effect display

How to use the U-clip:

There is no need to drill holes on the worktable, just clamp him on the workbench within 75mm in thickness, and the torque reaction arm can be used.

If you need it, please contact us to buy it.

Floor Bracket



500mm

400mm

±10mm

The torque reaction arm can be moved freely for operation.

If you need it, please contact us to buy it.



PRODUCT FEATURES

1

The electric batch bracket uses the energy accumulated by the spring to make the suspended operating tool in a weightless state, making screwing work easier.

2

The operation is simple and fast, eliminating the fatigue of the operator holding the screwdriver, and greatly improving the work efficiency.

3

Vertical operation is allowed up and down, so that the electric screwdriver and the nut are always kept vertical at 90° and locked in the same straight line.

4

For electric and pneumatic screwdrivers with large torque, it can be firmly fixed to avoid accidents caused by the operator's insufficient hand-holding force.

5

It can withstand high loads, has a solid structure, and maintains high-precision operation under continuous operation.

PRODUCT DISPLAY



PRODUCT PACKAGING

